

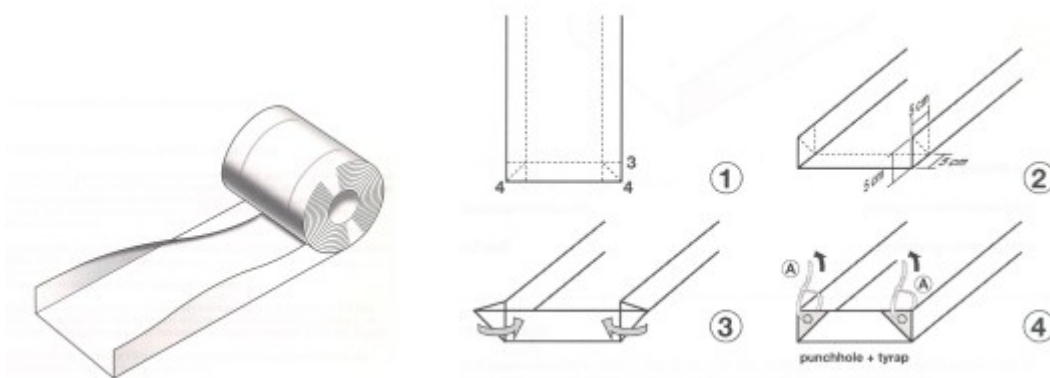
RECTANGULAR SUBSTRATE GUTTERS

Ideal for substrate slabs, and substrate buckets.

The gutter has a flat bottom & two upright sides (as per images)
(It doesn't contain any plant or environmentally unfriendly components)

The gutters can come in a wide range of widths (bottom widths) 120mm – 700mm, and heights (upright sides) minimum 30mm and maximum 100mm high.

NB: the ideal size for a 200mm wide ('V' system) slab is a gutter of dimensions 250mm wide at the base with 50mm high sides.



This gutter is laid out on to a floor that has been laser levelled with a fall of ideally 0.5% (and no greater than 1%) and is covered with a floor covering of either black and white plastic or phormium white weed matting (the weed matting is often chosen as it can be left in place for many years). These cut-to-row-length (as ordered) gutters are rolled out with the aid of a simple device that unfolds the gutter, as it is unrolled down the row. The ends of each gutter are folded up (as shown in the diagrams) and hole punched, with cable ties (tie wraps) put through the holes to keep the ends of the gutters folded up in place.

For slab culture, polystyrene mats (with a taper across the width of each piece) are used underneath the slabs. These aid in assisting run-off from the slabs and also provide a layer of insulation from the ground. Once the polystyrene is in place, a sheet of black and white polythene is used (white side up) to line the trough which keeps the polystyrene and trough clean so any cleaning of these two system parts is kept to a minimum during clean-up time at the end of the season. This white side of the black and white plastic also makes the most of any potential light reflectance back up into the crop.

For more information please contact: